

RAYMAX® 1525— Unique Design Allows Quick Removal and Replacement of the Element and Reflectors

Watlow's RAYMAX® 1525 is a rugged radiant heater with a unique design that allows quick removal and replacement of the element and reflectors. Instead of dismantling the heater, the parts are simply removed from the front. Replacing dirty reflectors often can improve heating efficiency by up to 30 percent.

The RAYMAX 1525 is available with either a fast responding quartz element or an Incoloy® - sheathed WATROD round tubular element. Both are supported by stainless steel hardware in an extruded aluminum housing.

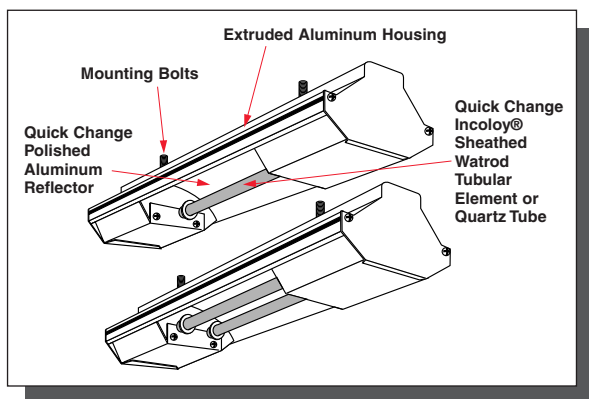
All stock units come with 1½ inch long, ½ inch-16 thread mounting bolts that slide along the heater's length to accommodate mounting considerations.

Performance Capabilities

- Element temperatures to 870°C (1600°F)
- Watt densities measured across the reflector area up to 25 W/in² (3.9 W/cm²)

Applications

- Drying bulk materials
- Freeze protection
- Space heating
- Process heating
- Warming equipment



Options

Single end wiring

Single end wiring permits power leads to be brought into only one end of the unit. Standard units with straight elements must be wired at both ends.

Features and Benefits

Fast and easy replacement of the tubular element and reflectors

- Quick servicing

Variety of element styles available

- Includes single or dual element, hairpin, liquid tight housing and quartz element

Assembly stock availability

- Provides quick three-day shipment from order receipt

Optional single end wiring available on most units

- Simplifies installation

Polished aluminum reflector

- Efficiently directs heat to the work



WATLOW

12001 Lackland Road
St. Louis, Missouri 63146 USA
Phone: +1 (314) 878-4600
FAX: +1 (314) 878-6814
Internet: www.watlow.com
e-mail: info@watlow.com

STL-1525-0805

Incoloy® is a registered trademark of the Inconel Corporation.



Applications

Miniature size

- Drying bulk materials
- Freeze protection
- Space heating
- Process heating
- Warming equipment

Options

Single end wiring

Single end wiring permits power leads to be brought into only one end of the unit. Standard units with straight elements must be wired at both ends.

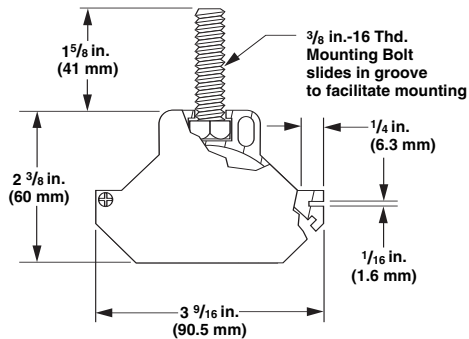
Power Leads

Appropriate power leads come attached to the heating element(s).

Protective Grille

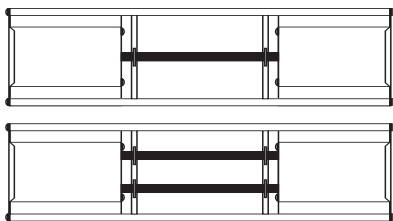
A stainless steel grille section that snaps in to reduce the possibility of personnel or product coming in contact with the heating element.

Element Styles



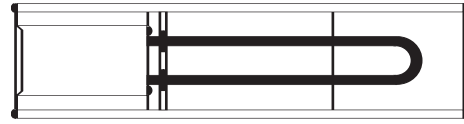
Single and Dual Elements

Straight length WATROD round tubular elements come in single or dual styles. The dual style produces twice the wattage of the same length single element. Dual elements can also be jumpered to permit single end wiring and operating at twice the rated voltage up to 480V~(ac).



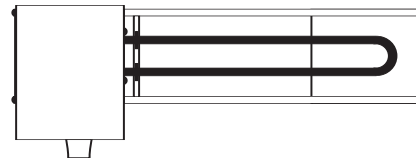
Hairpin Element

A WATROD hairpin-shaped tubular element provides the convenience of single end wiring and a reduced no-heat area on the non-terminal end.



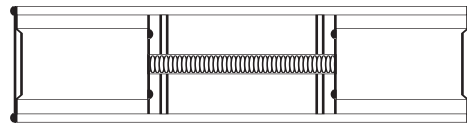
Liquid Tight Housing

On this style, the hairpin element terminates in a liquid tight housing to permit operating in a hose-down area or exposure to weather. The cast aluminum housing has a 1/2 inch NPT conduit fitting. The box is 2 13/16 inches x 3 3/8 inches x 5 1/4 inches including conduit hub.



Quartz Tube Element

Watlow quartz elements provide the advantage of faster heat-up and cool-down—important when encountering frequent line stoppages. A standard 1/2 inch (13 mm) diameter quartz tube provides strength and long resistance wire life.



How to Order

To order, specify:

- Watlow code number (from the Watlow heater's catalog)
- Watts/volts
- Options
- Quantity

If our stock units do not meet your application needs, Watlow can manufacture to meet your special requirements.

For made-to-order units, please specify:

- Overall or heated length
- Element style
- Volts/watts
- Options
- Quantity

Availability

Assembly Stock: Three working days

Made-to-Order: Consult Watlow

To be automatically connected to the nearest North American Technical and Sales Office call:

1-800-WATLOW2

International Technical and Sales Offices: China, +86 (21) 5211-0231 • France, +33 (01) 3073-2425 • Germany, +49 (0) 7253-9400-0 • Italy, +39 (02) 458-8841 • Japan, +81 (03) 3518-6630 • Korea, +82 (02) 575-9804 • Malaysia, +60 (4) 641-5977 • Mexico, +52 (442) 217-6235 • Singapore, +65 6773-9488 • Spain, +34 91 675 12 92 • Sweden, +46 31 7014959 • Taiwan, +886 (0) 7-288-5168 • United Kingdom, +44 (0) 115-964-0777